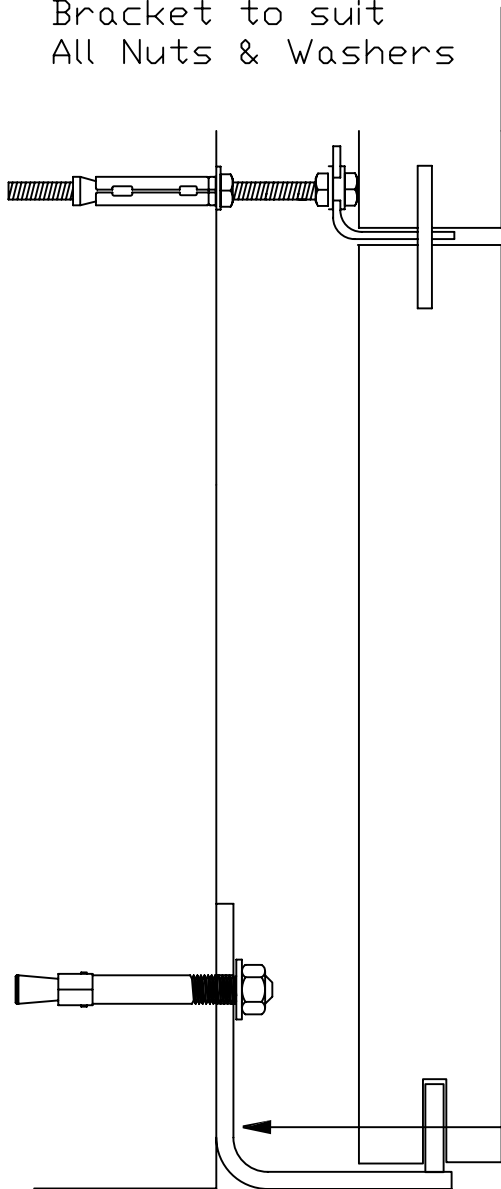


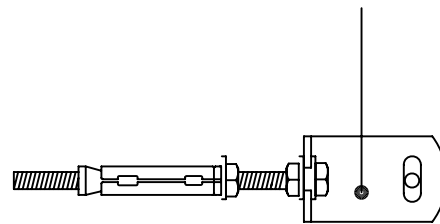
RevNo	Revision note	Date	Signature	Checked
-------	---------------	------	-----------	---------

Suregrip 3000 Retentions

- Components
 M6 x 100 Grade 70 S/S 304
 Setscrew
 M6 S/S Expander (10mm o/d)
 M5 x 50 S/S Dowel
 Bracket to suit
 All Nuts & Washers

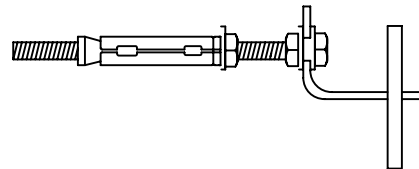


Material 30 x 2.5mm S/S

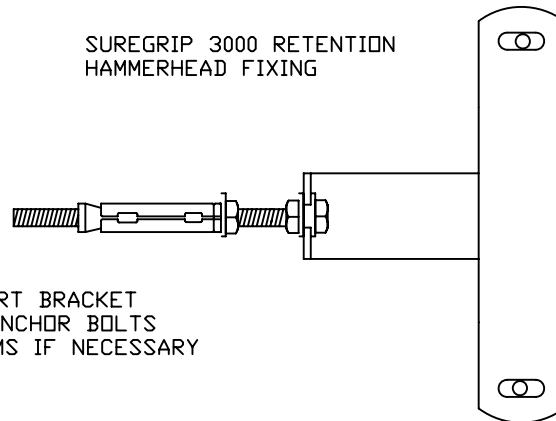


SUREGRIP 3000 RETENTION
 ADJUSTABLE TO CAVITY
 WIDTH + or -15MM
 Up to 3000N SWL AXIAL TENSION

allowable shear load
per dowel is 1.315 Kn



SUREGRIP 3000 RETENTION
 HAMMERHEAD FIXING



SUPPORT BRACKET
 C/W ANCHOR BOLTS
 + SHIMS IF NECESSARY

Itemref	Quantity	Title/ s grip3		Article No./Reference		
Designed by		Checked by	Approved by - date	Filename	Date	Scale
Construct Sales Ltd Phone 6265819 Fax 6266943				Suregrip 3000 retention		
				Edition	Sheet	